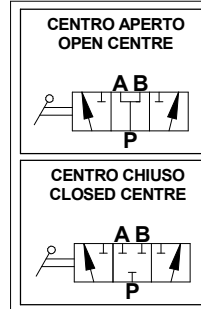
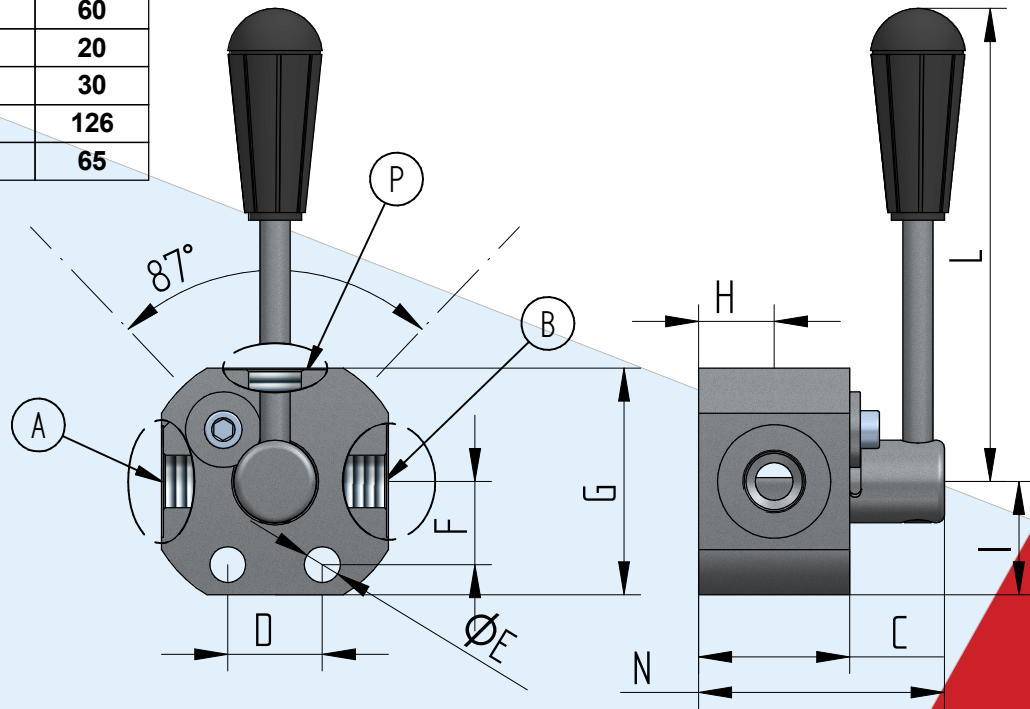


| Descrizione / Codice<br>Description / Code | AI316DEV<br>AP<br>3V3/8 | AI316DEV<br>AP<br>3V1/2 |
|--|-------------------------|-------------------------|
| Pressione massima - Max pressure Bar       | <b>400</b>              | <b>400</b>              |
| Portata - Flow Lt/min                      | <b>50</b>               | <b>80</b>               |
| Peso - Weight Kg                           | <b>1,10</b>             | <b>1,15</b>             |
| A - B - P                                  | 3/8 GAS                 | 1/2 GAS                 |
| C  | 40                      | 40                      |
| D  | 26                      | 26                      |
| E  | 9,5                     | 9,5                     |
| F  | 22                      | 22                      |
| G  | 60                      | 60                      |
| H  | 20                      | 20                      |
| I  | 30                      | 30                      |
| L  | 126                     | 126                     |
| N  | 65                      | 65                      |



**3 VIE - 3 WAYS**



### Codice di ordinazione - Ordering code

AI316DEVAP Option 1  
3 V Option 2  
3/8  
1/2 Option 3  
CA  
CC

| Option 1 |   |
|----------|---|
| 3V       | N. 3 vie di connessione<br>N. 3 ways connection |

| Option 2              |                                  |
|-----------------------|----------------------------------|
| Thread A-B-P-A1-B1-P1 |                                  |
| G3/8                  | Filetto 3/8 Gas - Thread 3/8 Gas |
| G1/2                  | Filetto 1/2 Gas - Thread 1/2 Gas |

| Option 3 |   |
|----------|---|
| CA       | Cursore centro aperto<br>Open centre cursor   |
| CC       | Cursore centro chiuso<br>Closed centre cursor |

