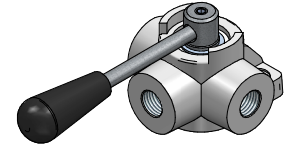
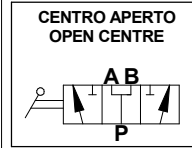
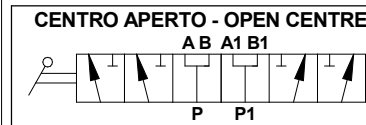
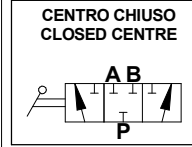


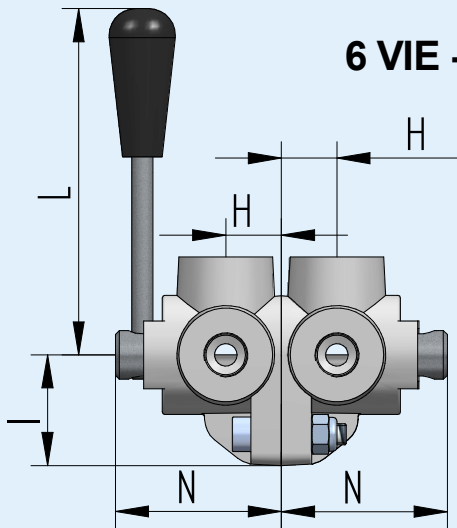
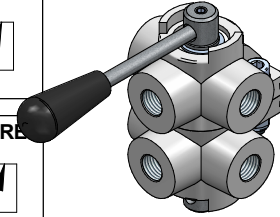
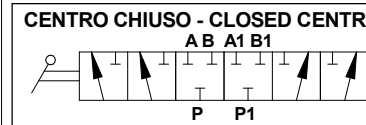
| Descrizione / Codice<br>Description / Code | DEV 3/8 |       | DEV 1/2 |       | DEV 3/4 |         | DEV 1" |         |
|--|---------|-------|---------|-------|---------|---------|--------|---------|
|  | 3V      | 6V    | 3V      | 6V    | 3V      | 6V      | 3V     | 6V      |
| Pressione massima - Max pressure Bar       | 300     |       | 250     |       | 220     |         | 220    |         |
| Portata - Flow Lt/min                      | 60      | 60+60 | 90      | 90+90 | 120     | 120+120 | 180    | 180+180 |
| Peso - Weight Kg                           | 0,9     | 1,80  | 1,4     | 2,90  | 1,82    | 3,64    | 2,5    | 5,00    |
| A - B - P - A1 - B1 - P1                   | 3/8 GAS |       | 1/2 GAS |       | 3/4 GAS |         | 1" GAS |         |
| C  | 73      |       | 85      |       | 90      |         | 96     |         |
| D  | 24      |       | 32      |       | 32      |         | 32     |         |
| E  | 8,5     |       | 10,5    |       | 10,5    |         | 11     |         |
| F  | 26,5    |       | 35      |       | 41      |         | 50     |         |
| G  | 77      |       | 96      |       | 100     |         | 115    |         |
| H  | 21      |       | 25      |       | 28      |         | 32,5   |         |
| I  | 41      |       | 52      |       | 55      |         | 67     |         |
| L  | 128     |       | 128     |       | 128     |         | 140    |         |
| N  | 62      |       | 70      |       | 80      |         | 90     |         |



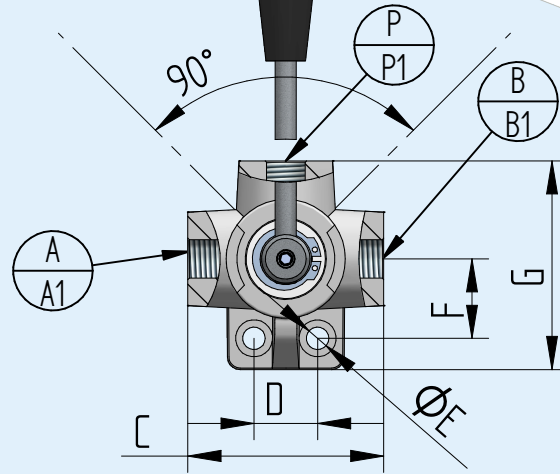
3 VIE - 3 WAYS



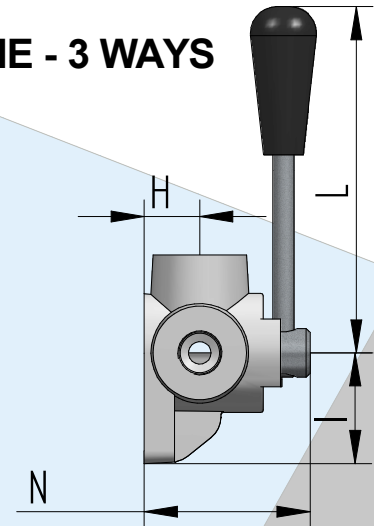
6 VIE - 6 WAYS



6 VIE - 6 WAYS



3 VIE - 3 WAYS



### Codice di ordinazione - Ordering code

|     |          |     |          |     |          |    |
|-----|----------|-----|----------|-----|----------|----|
| DEV | Option 1 | 3 V | Option 2 | 3/8 | Option 3 | CA |
|     |          | 6 V |          | 1/2 |          | CC |
|     |          |     |          | 3/4 |          |    |
|     |          |     |          | 1"  |          |    |

| Option 1 |   |
|----------|---|
| 3V       | N. 3 vie di connessione<br>N. 3 ways connection |
| 6V       | N. 6 vie di connessione<br>N. 6 ways connection |

| Option 2              |                                  |
|-----------------------|----------------------------------|
| Thread A-B-P-A1-B1-P1 |                                  |
| G3/8                  | Filetto 3/8 Gas - Thread 3/8 Gas |
| G1/2                  | Filetto 1/2 Gas - Thread 1/2 Gas |
| G3/4                  | Filetto 3/4 Gas - Thread 3/4 Gas |
| G1                    | Filetto 1" Gas - Thread 1" Gas   |

| Option 3 |   |
|----------|---|
| CA       | Cursore centro aperto<br>Open centre cursor   |
| CC       | Cursore centro chiuso<br>Closed centre cursor |

